

Presence detector - Professional Line

IR Quattro MICRO 6m

COM1 - white

EAN 4007841 053789

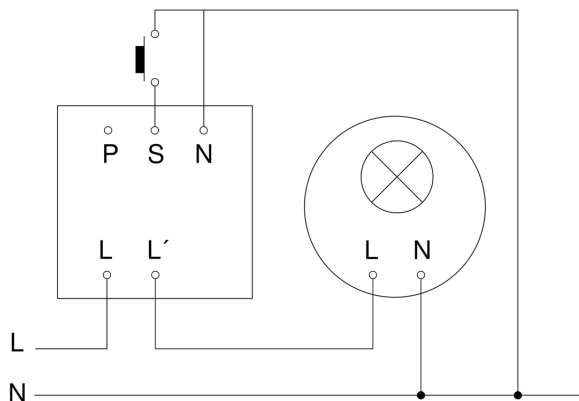
Article number 053789



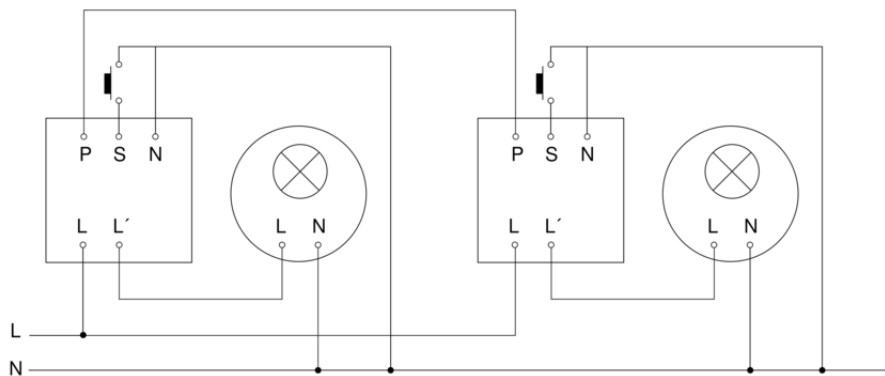
IR Quattro MICRO 6m

COM1 - white
EAN 4007841 053789
Article number 053789

Master circuit diagram



Master/master interconnection circuit diagram



IR Quattro MICRO 6m

COM1 - white
EAN 4007841 053789
Article number 053789

Master/slave interconnection circuit diagram

